

DO NOT SCALE

Notes

The Newton Back-Box Liners are made from the highest quality DPC material and are pre-formed to receive electrical pattress boxes.

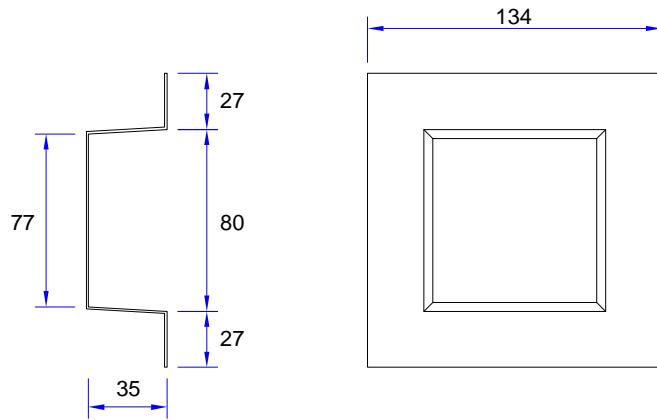
They are available in both single and double pattresses boxes.

To access the details mentioned above, relevant NBS Clauses, product data and MSDS sheets, please visit Technical resources via www.newtonwaterproofing.co.uk

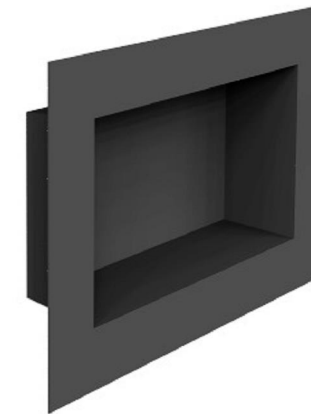
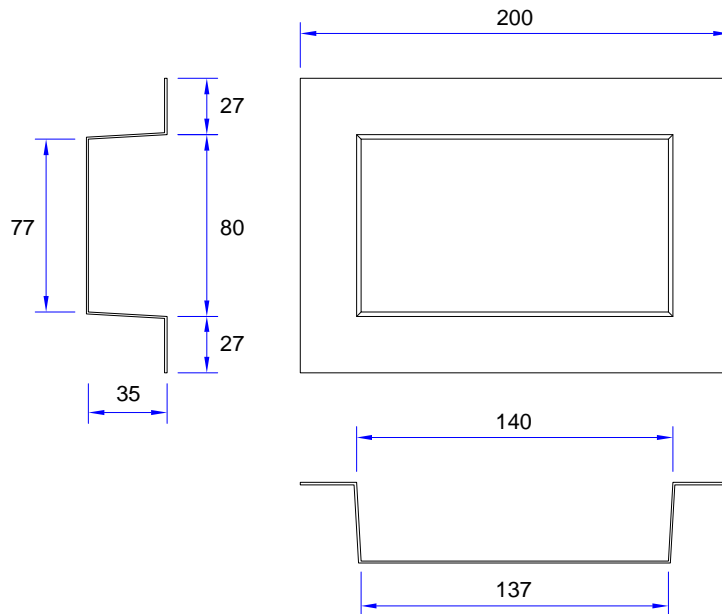
System 800 Damp Proofing

Newton Back-Box Liner

Newton Back-Box Liner for single pattress box
Product Code: BX1



Newton Back-Box Liner for double pattress box
Product Code: BX2



NOTE: This is a waterproofing detail. For the design of the structure, please use a professional designer. We strongly recommend that Newton waterproofing systems are installed by our NSBC registered contractors who will guarantee, insure and accept liability for both the design and the installation of our systems. Please refer to product data sheets before installation of our products. Newton Waterproofing Systems reserves the right to update drawings.

Scale Not to scale	Drawing Reference DP-D06	Original Reference	Drawing Revision a
Date 17/10/2017	Designed by RC	Drawn by CER	Checked by DGB